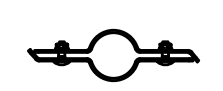
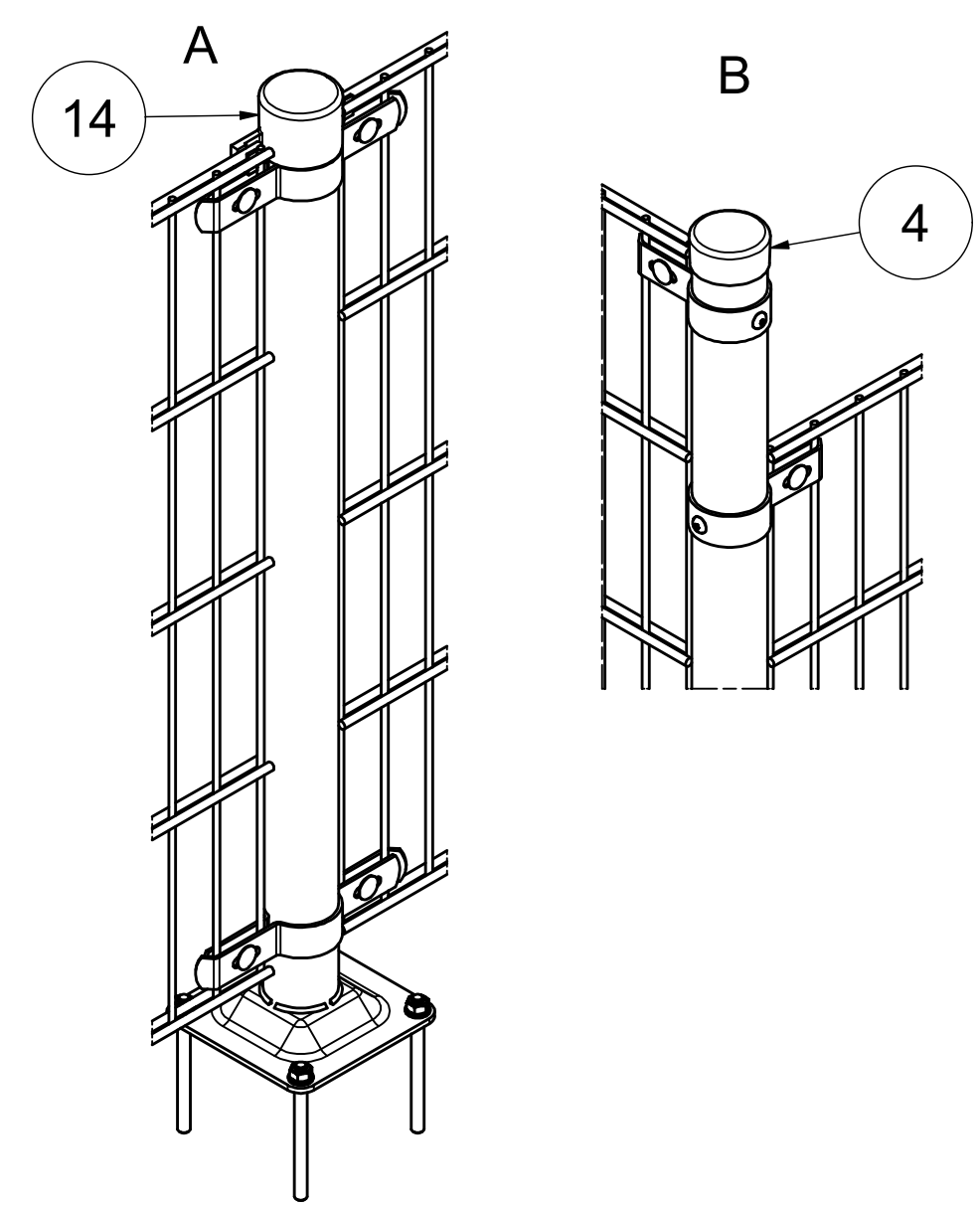
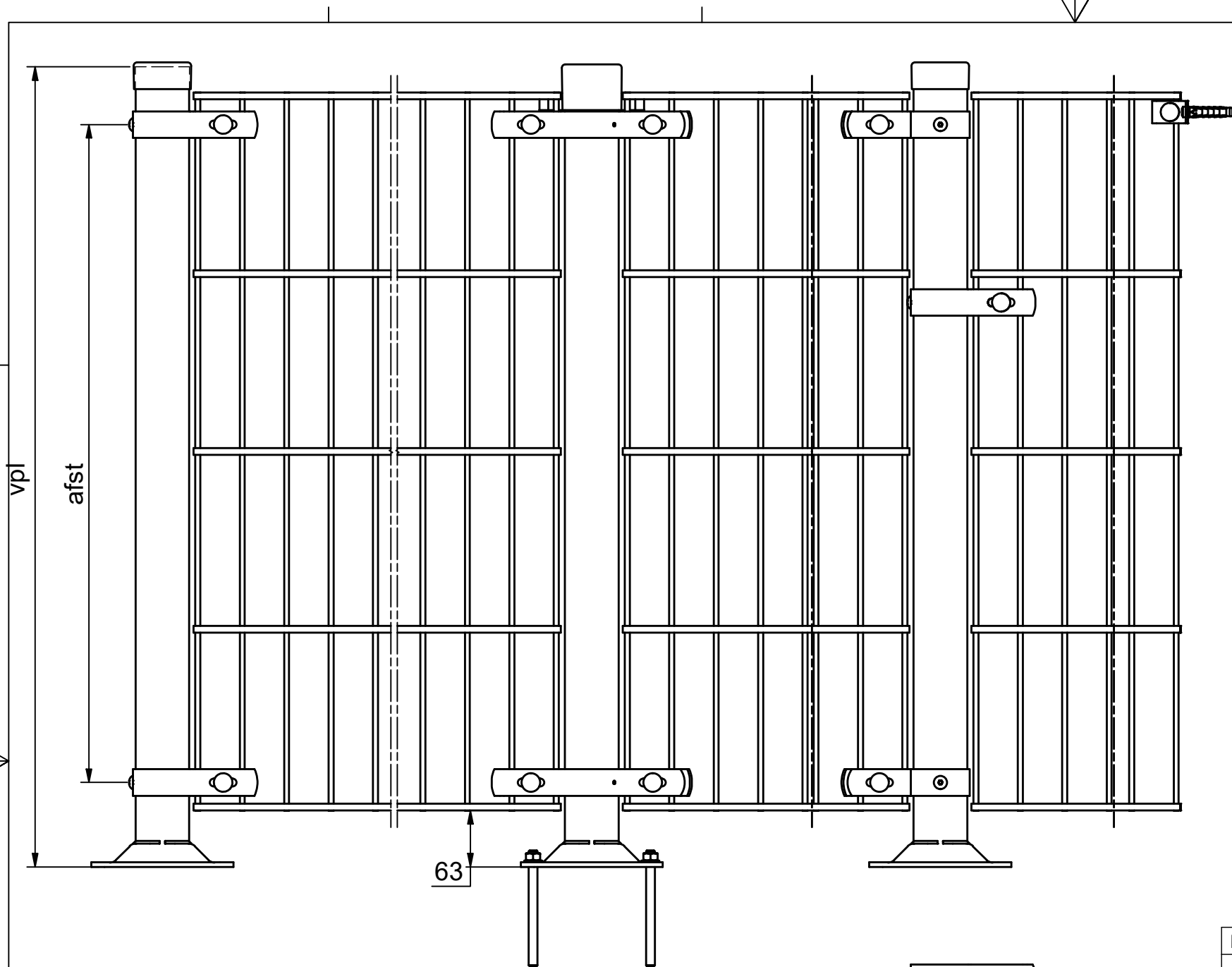


HH	bs	lgt	B	n	afst1	afst2	afst 3
80	bs60175	1730	830	2	762		
100	bs60175	1930	830	2	962		
120	bs60175	2230	930	3	600	1162	
140	bs60175	2400	900	3	600	1362	
160	bs60175	2600	900	3	800	1562	
180	bs60175	2850	950	3	800	1762	
200	bs60175	3000	900	3	1000	1962	
220	bs60225	3200	900	4	600	1400	2162
240	bs60225	3400	900	4	800	1600	2362

DRAWN BY: Jan Ruigrok		DESCRIPTION:		
DATE: 14-4-2021		Pallas light (Langlip beugel) met borging		
REF. NO: pallas light				
	PROJECT:	DRAWING NO:	REV NO:	SHEET:
	Pallas		0	1 v 2



HH	stdstmo...vpl	vpl	n	afst1	afst2	afst 3
80	stdstmo80vpl	900	2	762		
100	stdstmo100vpl	1100	2	962		
120	stdstmo120vpl	1300	3	600	1162	
140	stdstmo140vpl	1500	3	600	1362	
160	stdstmo160vpl	1700	3	800	1562	
180	stdstmo180vpl	1900	3	800	1762	
200	stdstmo200vpl	2100	3	1000	1962	
220	stdstmo220vpl	2300	4	600	1400	2162
240	stdstmo240vpl	2500	4	800	1600	2362

ITEM	PART NUMBER	DESCRIPTION	PROJECT
1.1	bevb glo60stmv	fasten bracket wm o60 hd	2000922
1.4	slb825	DIN 603 - M8 x 25	2016611
1.6	m8flens	nut flange M8 DIN 6923 ss	2013181
2.1	eindbevb glo60stm	fasten bracket end wm o60 1/1 hd	2008605
2.2	schr torxzb5526	screw self dr torx+EPDM ring 5,5x26 ss	2016026
3.3	hbevb glo60drkwstm	fasten bracket wm o60 3/4 hd	2010913
3.4	hbevb glo60kwstm	fasten bracket wm o60 1/4 hd	2010917
3.5	m8flens	nut flange M8 DIN 6923 ss	2013181
4	kap60u	cover cap o60 out ps	2011561
6.1	bevb glstm	fasten bracket wm U o6 60x25x2 ss	2000929
6.6	plugs10	plug hole o10x50 ps (T6_10X50)	2015443
6.7	schr torx6355vd	screw torx 6,3x55 spec T30+pin ss	2016019
14	kap60ulip	cover cap o60 hooks side pallas light ps	2032589

HERAS designed by: Pallas light (Langlip beugel) met borging
 Jan Ruigrok
 14-4-2021
 Pallas
 pallas light
 Sheet 2 / 2